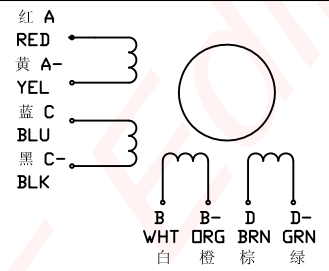


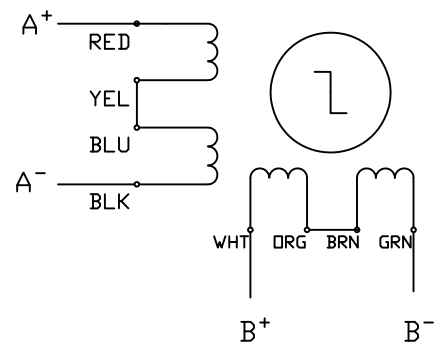
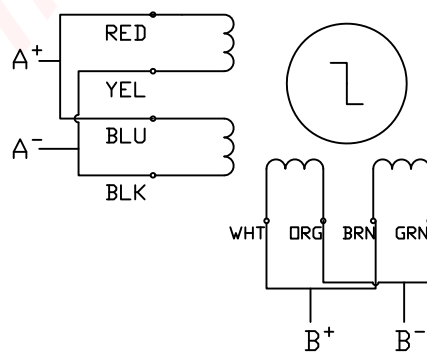
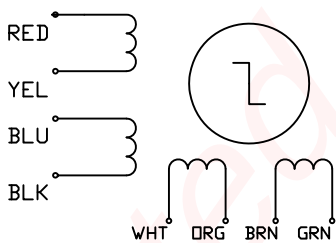
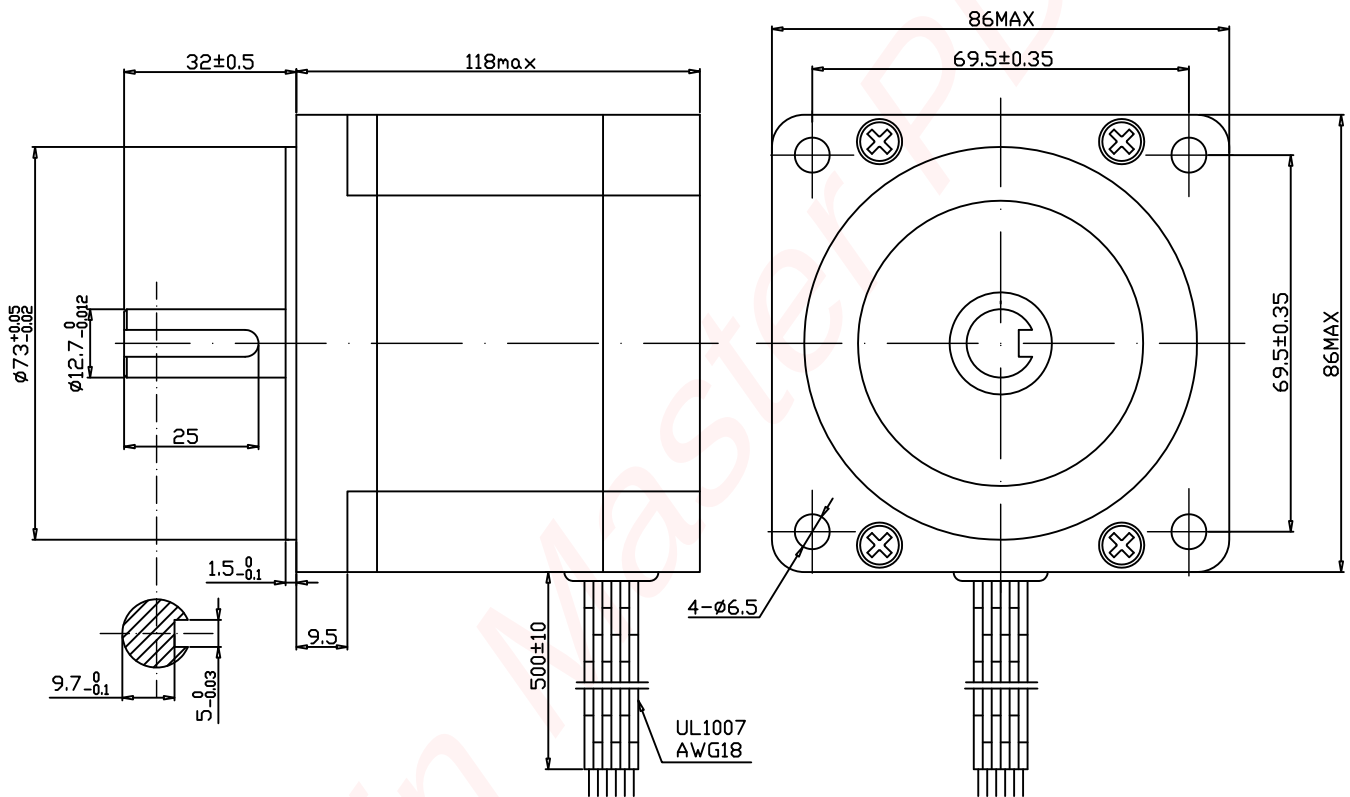
# STEPPING MOTORS TYPE CW86PH85

COMMON RATINGS		SPECIFICATIONS		Wiring Diagram
STEP ANGLE	1.8°±5%	VOLTAGE	4.9V	
PHASES	2 phases	CURRENT	4.9A	
INSULATION RESISTANCE	100Mohm(500VDC)	INDUCTANCE	5.2mH±20%	
CLASS OF INSULATION	B level	RESISTANCE	1Ω ± 10%	
		HOLDING TORQUE	85kg.cm	



## DIMENSION

units:mm



parallel

serial

WWW.CNC24.IN

02133531249

02133531799