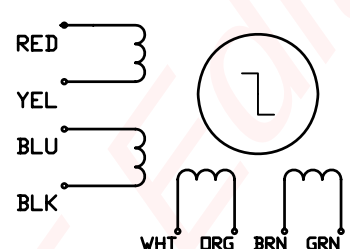
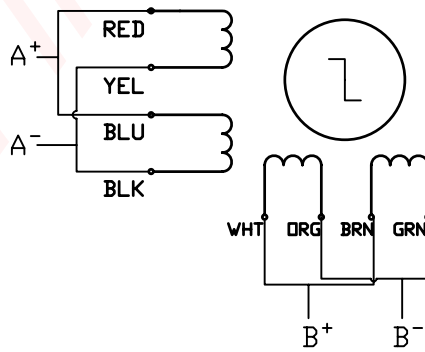
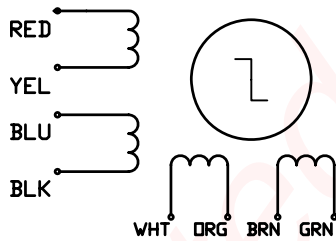
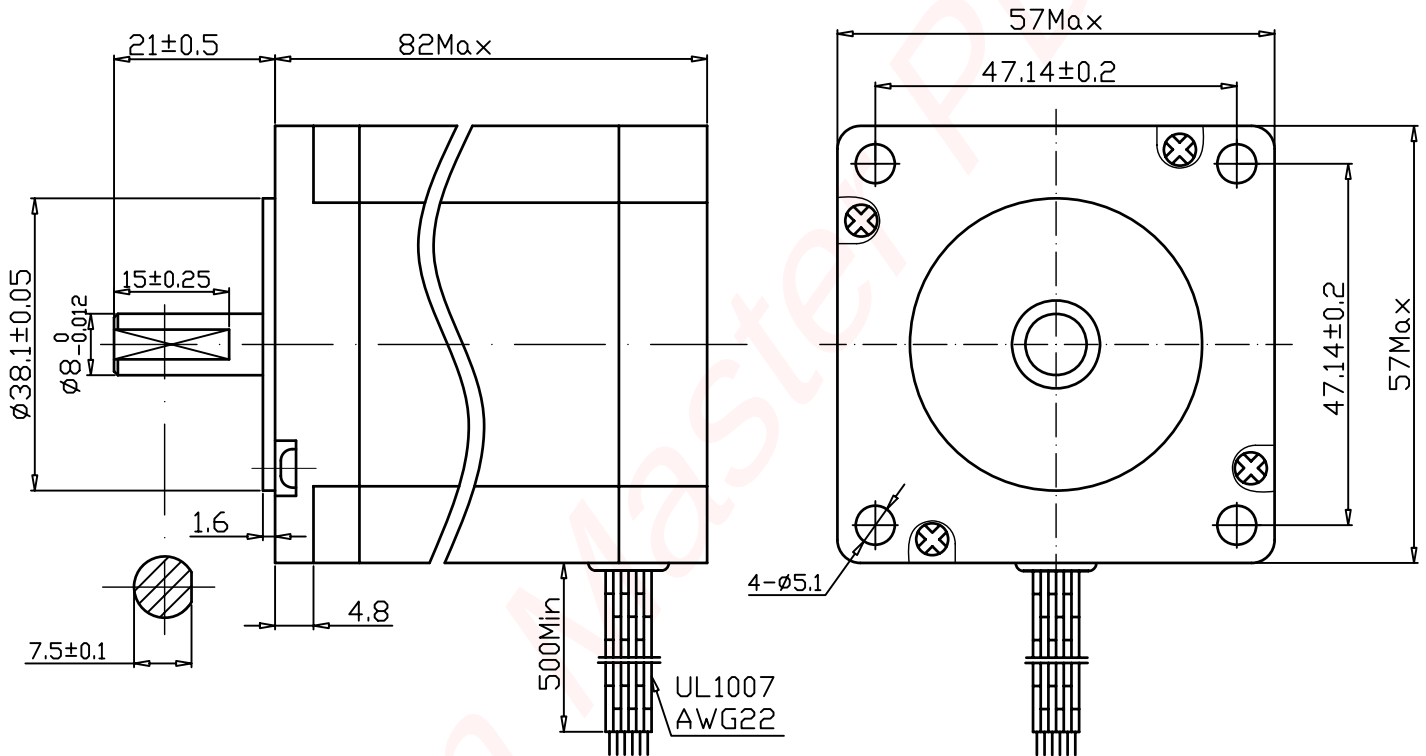


STEPPING MOTORS TYPE CW57PH22

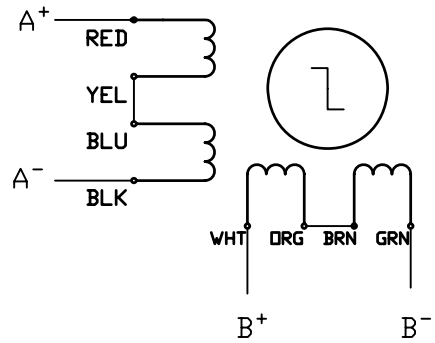
COMMON RATINGS		SPECIFICATIONS		Wiring Diagram 
STEP ANGLE	1.8°±5%	VOLTAGE	3.6V	
PHASES	4	CURRENT	3.0A	
INSULATION RESISTANCE	100MΩ(500V DC)	INDUCTANCE	2.4±20% mH	
CLASS OF INSULATION	B level	RESISTANCE	1.2±10% Ω	
WEIGHT	1.3kg	HOLDING TORQUE	21Kg.cm	

DIMENSION

units:mm



parallel



serial