

接线图  
Wiring Diagram

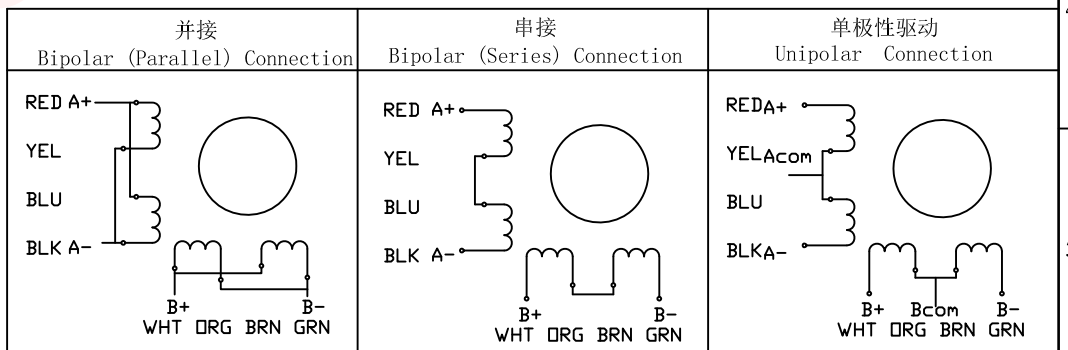
CW57PH12

3 WIRINGS CONNECTION DIAGRAM

3 规格 SPECIFICATIONS

|   |                            |                        |
|---|----------------------------|------------------------|
| 1 | 相数 Number of Phase         | 4                      |
| 2 | 步距角 Step Angle             | 1.8° ±5%               |
| 3 | 转子惯量 Rotor Inertia         | 280g · cm <sup>2</sup> |
| 4 | 绝缘电阻 Insulation Resistance | 100MΩ 500VDC           |
| 5 | 绝缘等级 Insulation Class      | B ( 130℃ )             |
| 6 | 环境温度 Ambient Temperature   | -20℃ to 50℃            |
| 7 | 环境湿度 Ambient Humidity      | 15% to 95%             |
| 8 | 电机重量 Motor Weight          | Approx 0.65 kg         |

|                         | 最大静转矩<br>Holding Torque<br>(2 phases on)<br>Kg. cm ±10% | 额定电流/相<br>Rated<br>Current/Phase<br>(Amps DC) | 相电阻<br>Resistance/Phase<br>(ohms) ±10% | 电压/相<br>Voltage/Phase<br>(V DC) | 电感/相<br>Inductance/Phase<br>(mH) ±20%<br>Typical (1kHz) |
|-------------------------|---|---|--|---------------------------------|---|
| 单极性驱动<br>Unipolar       | 9   | 3.0   | 0.7                                    | 2.1                             | 1.2   |
| 串接<br>Bipoar (Series)   | 12  | 2.2   | 1.4                                    | 3.1                             | 4.6   |
| 并接<br>Bipoar (Parallel) | 12  | 4.3   | 0.35                                   | 1.5                             | 1.2   |



|      |                      |                  |          |   |
|------|----------------------|------------------|----------|---|
| 6    | V3.0                 | HTPS1705064      | 20170506 | Unit:mm<br>第一角画法<br>First angle method<br>未注线性与角度尺寸公差<br>Tolerances for linear and angular dimensions<br>without individual tolerance indications<br>GB/T 1804-m eqv ISO 2768-1:m<br>未注形状与位置尺寸公差<br>Geometrical tolerances for features without<br>individual tolerance indications<br>GB/T 1184-k eqv ISO 2768-2:k |
|      | V2.0                 | HTPS1609111, 新版面 | 20160911 |   |
|      | V1.0                 | xxxx             | 20121215 |   |
| REV. | 版本记录 REVISION RECORD |                  | DATE     | UNLESS OTHERWISE SPECIFIED  |

|               |           |          |
|---------------|-----------|----------|
| 设计 DESIGN     | 戴康健       | 20121215 |
| 校核 CHECK      | XH        | 20160911 |
| 工艺 TECHNOLOGY |           |          |
| 标准化 STANDARD  |           |          |
| 批准 APPROVE    |           |          |
| NAMES         | SINGATURE | DATE     |

02133531249  
02133531799  
WWW.CNC24.IN