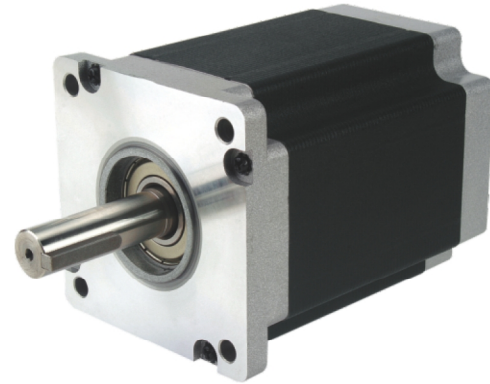


110HSxx Series



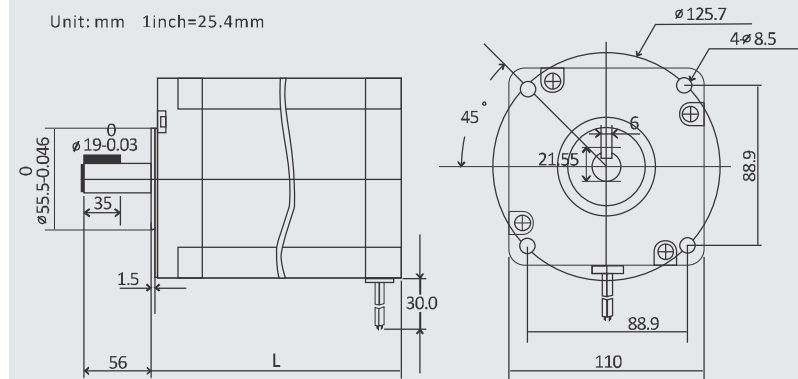
General Specifications

Angle Accuracy	± 5%(full step, no load)
Temperature Rise	80 °C Max
Ambient Temperature	-10 °C — +50 °C
Insulation Resistance	100M Ω min. 500VDC
Dielectric Strength	500VAC for one minute
Shaft Radial Play	0.06 Max. (450g-load)
Shaft Axial Play	0.08 Max. (450g-load)

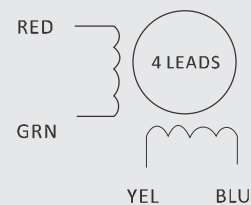
Selection Table

Phase	NEMA Size	Model	Step Angle (°)	# of Leads	Connection	Current/Phase (A)	Holding Torque (Nm)	Length L (mm)	Weight (kg)	Match Drives
2	42	110HS12	1.8	4	-	6.0	12	115	6.0	DM2282 / DM1182
		110HS20	1.8	4	-	6.0	20	150	8.4	DM2282 / DM1182
		110HS28	1.8	4	-	6.5	28	201	11.7	DM2282 / DM1182

Mechanical Specifications



Wiring Diagram



Match Drives

Model	Match Drives
110HS12	DM2282 / DM1182
110HS20	
110HS28	

130HSxx Series



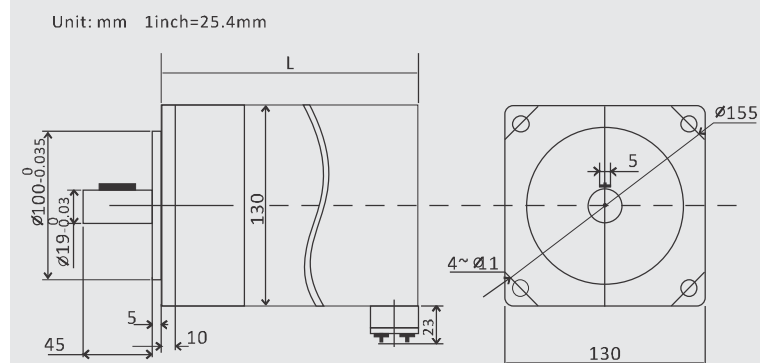
General Specifications

Angle Accuracy	± 5%(full step, no load)
Temperature Rise	80 °C Max
Ambient Temperature	-10 °C — +50 °C
Insulation Resistance	100M Ω min. 500VDC
Dielectric Strength	500VAC for one minute
Shaft Radial Play	0.06 Max. (450g-load)
Shaft Axial Play	0.08 Max. (450g-load)

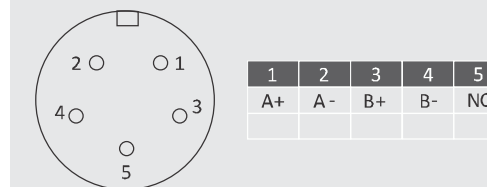
Selection Table

Phase	NEMA Size	Model	Step Angle (°)	# of Leads	Connection	Current/Phase (A)	Holding Torque (Nm)	Length L (mm)	Weight (kg)	Match Drives
2	51	130HS27	1.8	4	-	6.0	27	227	13	DM2282 / DM1182
		130HS33	1.8	4	-	6.0	33	227	13	DM2282 / DM1182
		130HS40	1.8	4	-	7.0	40	283	16	DM2282 / DM1182
		130HS45	1.8	4	-	7.0	45	283	19	DM2282 / DM1182

Mechanical Specifications



Wiring Diagram



Match Drives

Model	Match Drives
130HSxx	DM2282 / DM1182

Specifications of Motor Shafts

	T	KEY	D
110HSxx			
130HSxx			
573Sxx			
863Sxx			
ST series			
ST series			

T=21
KEY=5×5×30